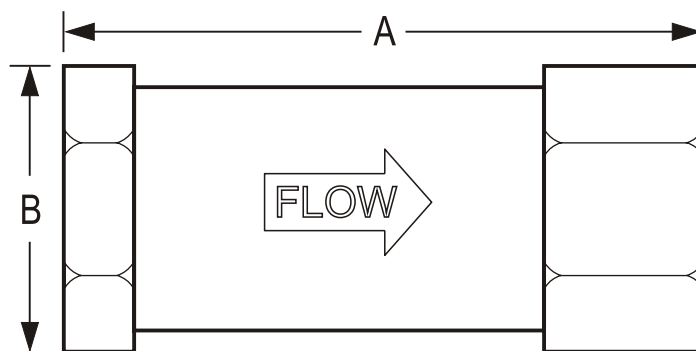
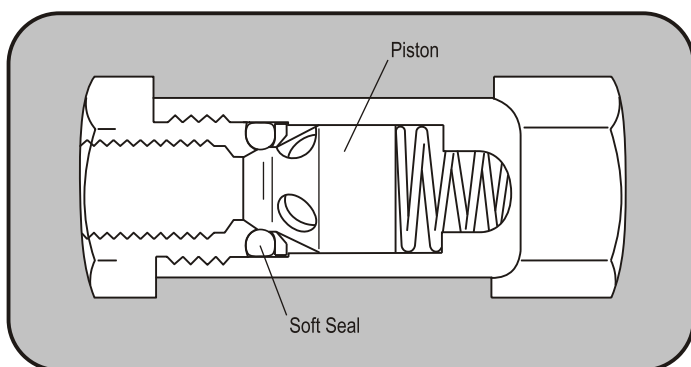


HelioCHECK™ Valve



HelioCHECK™ check valves provide a positive seal that can be counted on. The soft seal design provides a no leak seating surface. HelioCHECK Valves are dependable, durable, affordable, and a wise investment for any industrial application.



Construction

304 Stainless Steel
Soft Seal Material:
Ethylene Propylene (EP),
other materials available.

Service Application

Standard service includes
water, general purpose oils,
lubricants, hydraulic oil.
Please specify your type of
service when ordering.

Operating Conditions

Standard working
pressure: 1000 psi
Temperature Rating:
-40°F to 212°F Consult
factory for extreme
operating conditions.

Valve Crack & Relief Pressures

Standard cracking
pressure: 2 psi
Optional cracking
pressures: 5 psi, 10 psi, 25
psi, 50 psi, 65 psi
Consult factory for other
requirements.

NPT	Model #	A	B
3/8"	CVH01-3/8	2-1/2"	1-1/4"
1/2"	CVH01-1/2	2-1/2"	1-1/4"
3/4"	CVH01-3/4	3-11/16"	1-5/8"
1"	CVH01-1	4-1/16"	2-1/8"
1-1/4"	CVH01-1-1/4	5"	3"
1-1/2"	CVH01-1-1/2	5"	3"

Part # Order Example:

CVH01 - 1-1/4 - EP - 05

Model # Size Seal Material Cracking Pressure

HelioJET
CLEANING TECHNOLOGIES

57 North St. Suite 120 • Le Roy, NY 14482
Tel: 585-768-8710 • Fax: 585-768-9209
E-mail: hct@heliojet.com
Web Site: www.heliojet.com